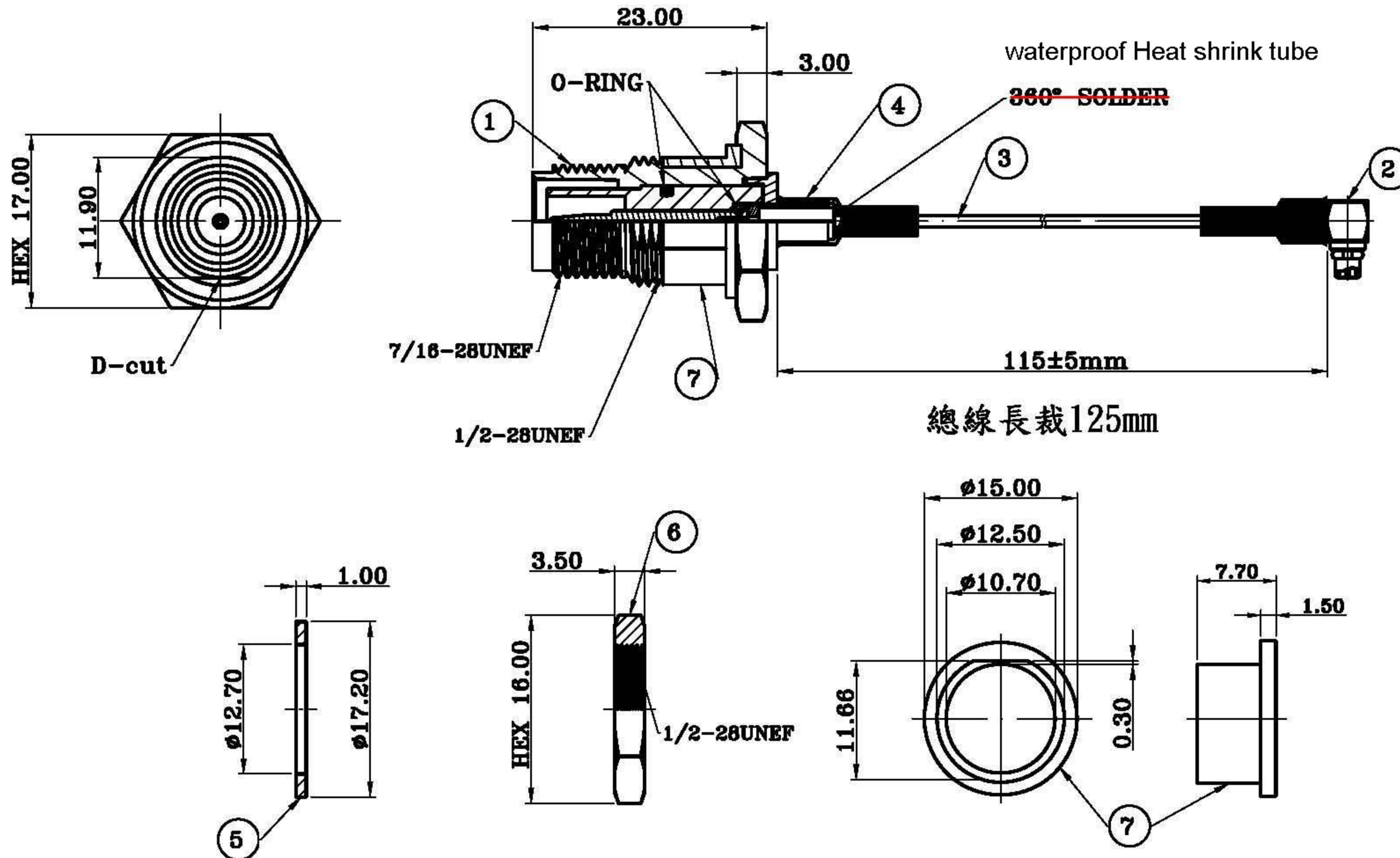


Note:

TNC D-cut and D-ring(flanged)flat surface must match.

TNC D-cut與D-ring的平面必須一致不可以有位移。



7	D-RING FLANGED	NBR-1052	1		BO-TNC-620	KONMEK
6	NUT	BRASS	1	BLACK NICKEL	TNC-0202-NUT4	KONMEK
5	WASHER(BLACK-POM)	POM	1		TNC-0202-WASH	KONMEK
4	HEAT SHRINK TUBE		1			
3	RG-174 (BLACK)		1			
2	MMCX R/A PLUG	BRASS	1	GOLD	MMCX-0601T	KONMEK
1	RP TNC BULKHEAD JACK	BRASS	1	BLACK NICKEL	TNC-0203T	KONMEK
ITEM	ITEM NAME	MATERIAL	Q'TY	FINISH	PART NUMBER	SUPPLIER

REV		CONTENTS		DATE		DWG NO:	
●		DRAWN		HAO		IRPTNCMMCXRA115M	
X		CHKD		HAO		INSTRUCTION: RP TNC BULK JACK WITH O-ring+1.97L115-11-PEX	
XX		APPD		JORDAN		CUSTOMER: BO-035	
XXX		MATERIAL		SCALE	2:1	SIZE	A3
XV		FINISH		UNITS	mm	REV	G
XVI						DATE	2009/11/03
XVII							

bec Bobbintron Electrical Corp.
www.bobbintron.com