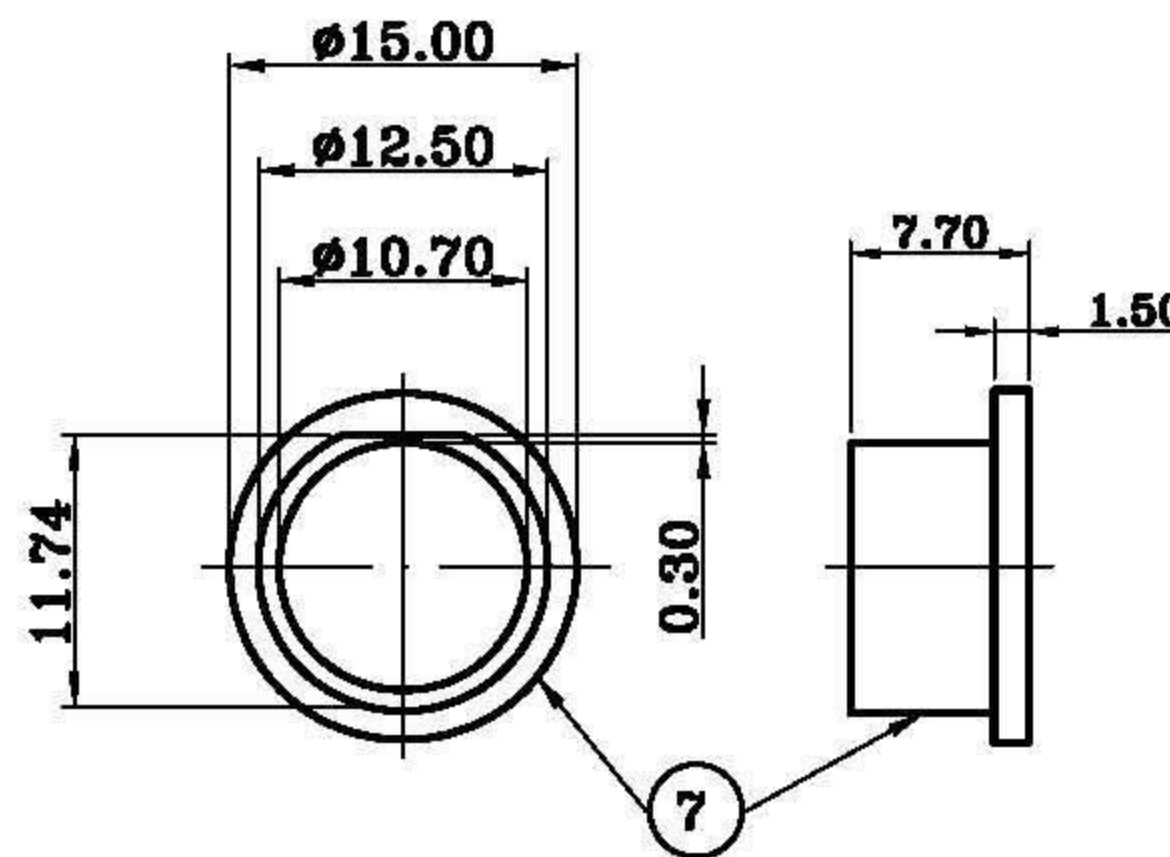
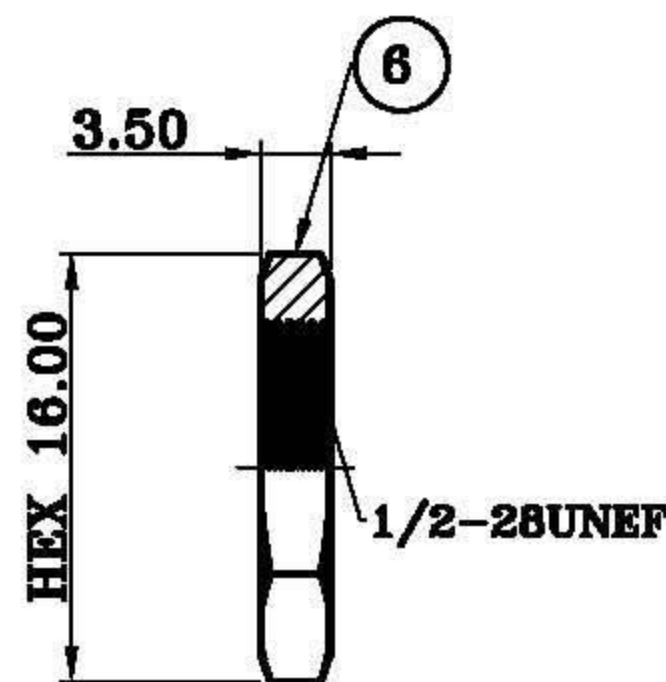
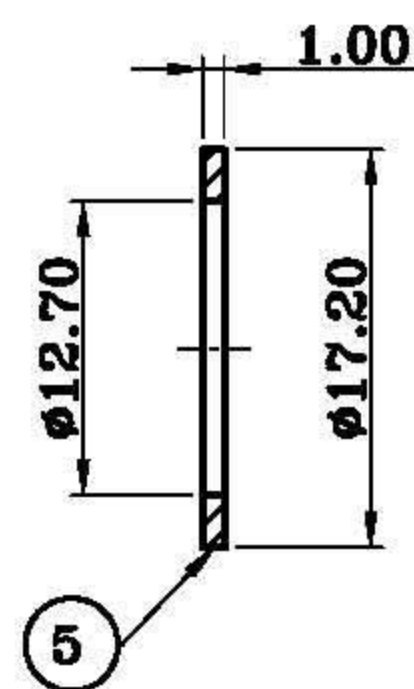
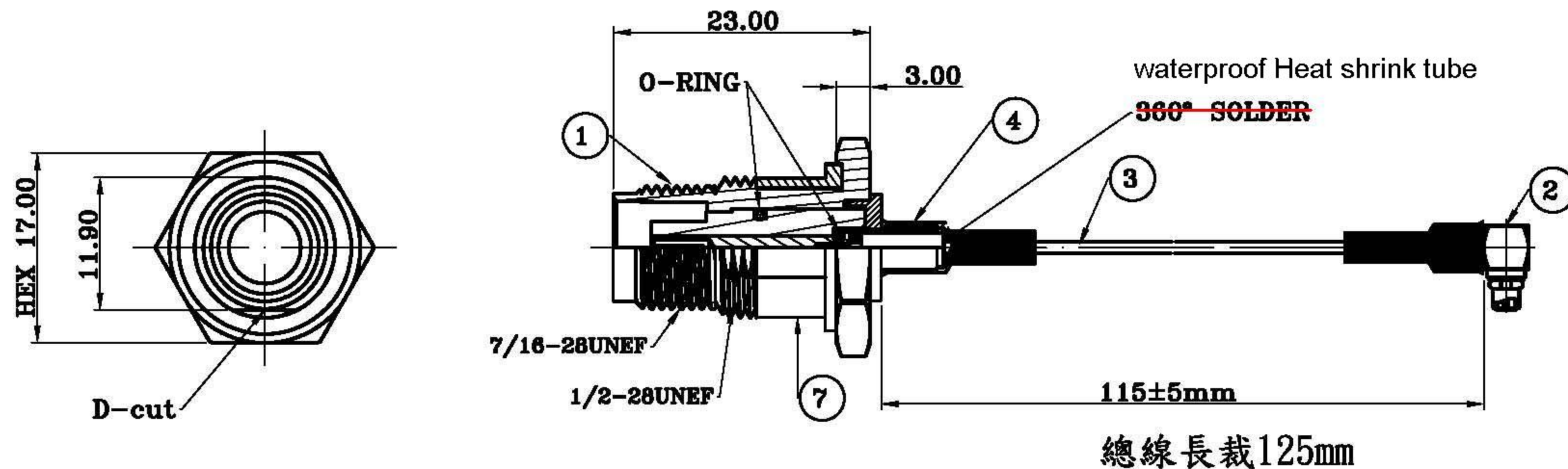


Note:

TNC D-cut and D-ring(flanged)flat surface must match.

TNC D-cut與D-ring的平面必須一致不可以有位移。



ITEM	ITEM NAME	MATERIAL	Q'TY	FINISH	PART NUMBER	SUPPLIER
7	D-RING FLANGED	NBR-1052	1		BO-TNC-620	KONMEK
6	NUT	BRASS	1	BLACK NICKEL	TNC-0202-NUT4	KONMEK
5	WASHER(BLACK-POM)	POM	1		TNC-0202-WASH	KONMEK
4	HEAT SHRINK TUBE		1			
3	RG-174 (BLACK)		1			
2	MMCX R/A PLUG	BRASS	1	GOLD	MMCX-0601T	KONMEK
1	RP TNC BULKHEAD JACK	BRASS	1	BLACK NICKEL	TNC-0202T	KONMEK

REV	CONTENTS	DATE	DWG NO:			
			ITNCMMCXRA115M			
			Isolation TNC bulk jack with O-ring:RG174(115)+MMCX R/A Plug			
			CUSTOMER		BO-033	
			SCALE	1:1	SIZE	A3
			UNITS	mm	DATE	2009/11/03

bec Bobbintron Electrical Corp.
www.bobbintron.com