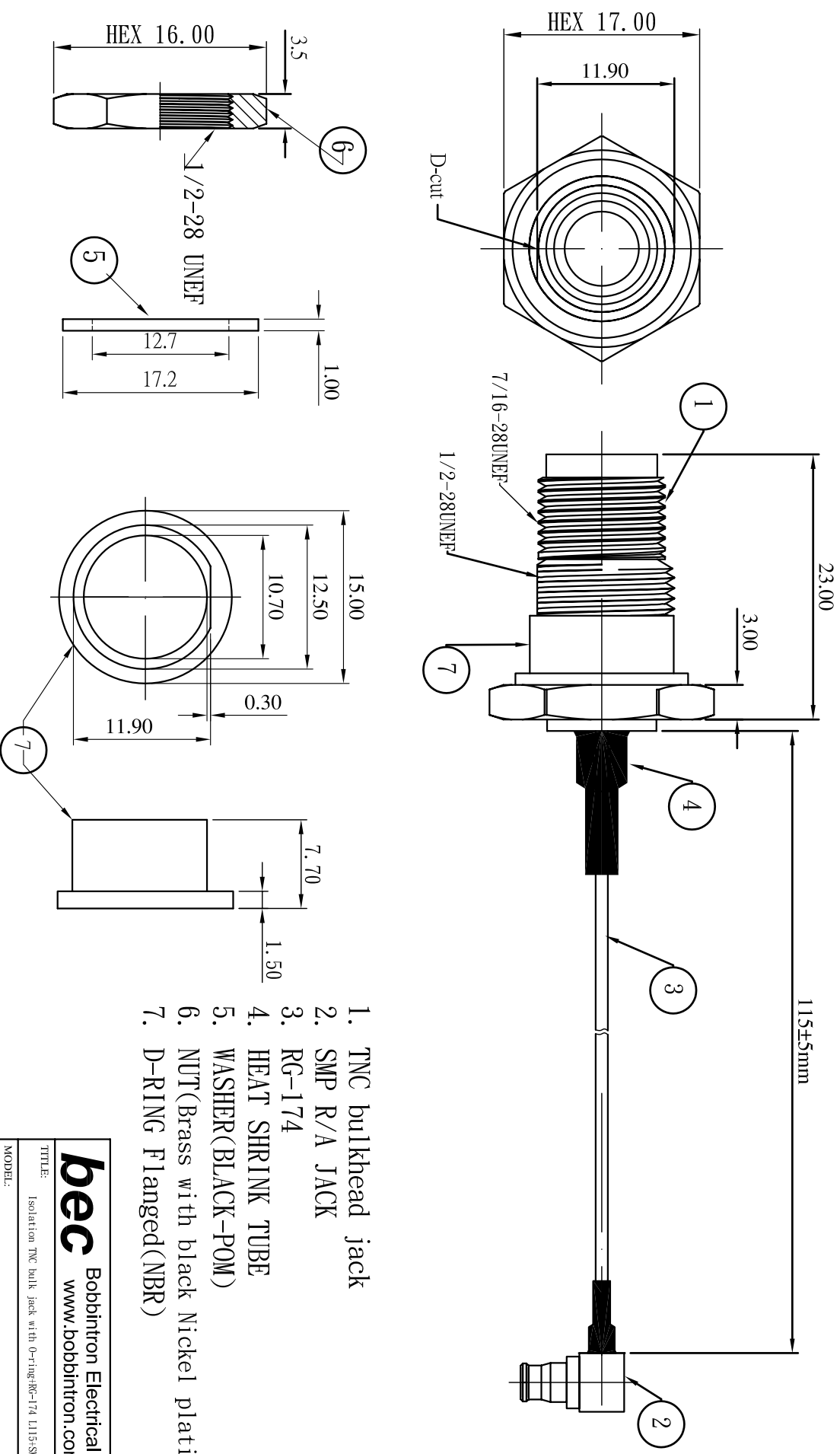


Note:  
 TNC D-cut and D-ring(flanged) flat surface must match.  
 TNC D-cut與D-ring的平面必須一致不可以有位移.



1. TNC bulkhead jack
2. SMP R/A JACK
3. RG-174
4. HEAT SHRINK TUBE
5. WASHER (BLACK-POM)
6. NUT (Brass with black Nickel plating)
7. D-RING Flanged (NBR)

**bec** Bobbinton Electrical Corp.  
 www.bobbinton.com

TITLE: Isolation TNC bulk jack with 0-174RG-174 L115:SMP JACK  
 MODEL: --

SIGNATURE	DATE	SHEET 1 OF 1	REV.
DWG: HAO	2009/06/18	DWG. NO. ITNCSMP115M	F
CHK:			
APP:		PART NO. --	