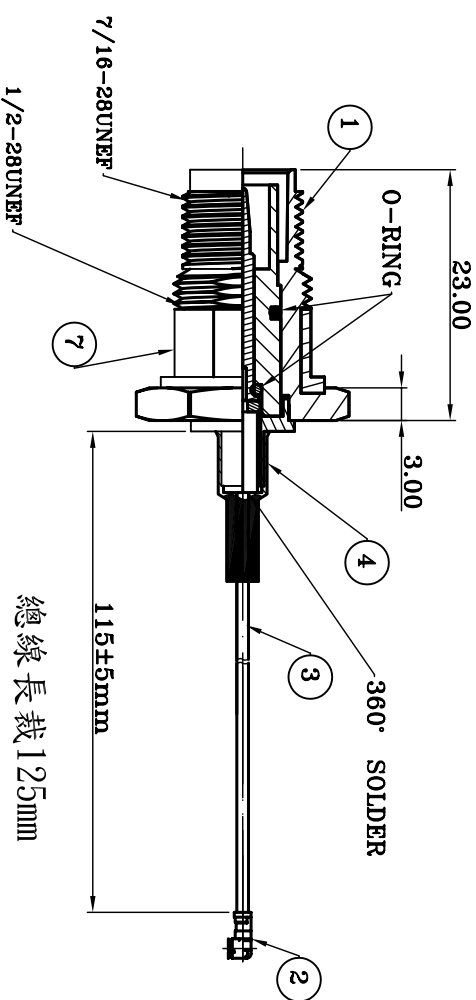
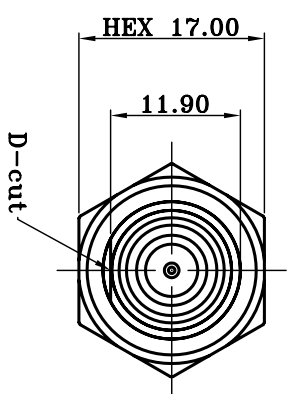


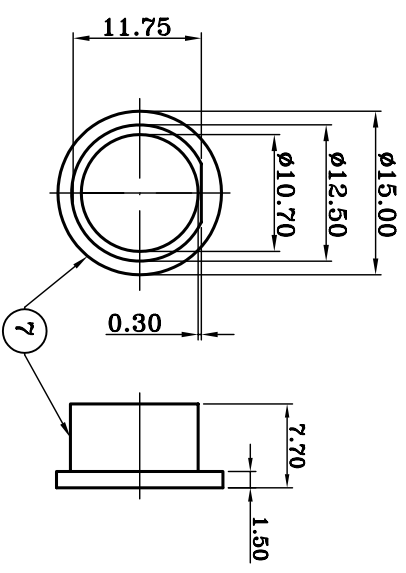
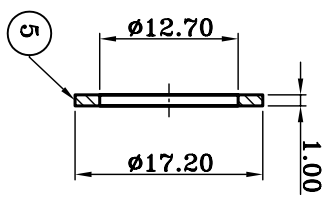
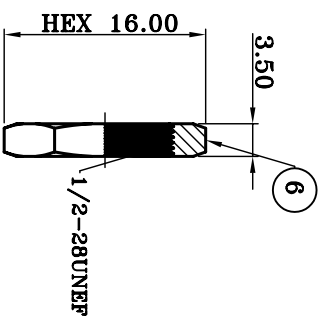
Note:

TNC D-cut and D-ring (flanged) flat surface must match.
 TNC D-cut與D-ring的平面必須一致不可以有位移。

REVISION		BY	APP.	DATE
REV	DESCRIPTION			
G	Add waterproof o-ring and 360° solder	Lillian		7/5/10



總線長裁 125mm



1. TNC-0204T
2. I-PEX MHP Plug
3. 1.37-MIT(GRAY)
4. HEAT SHRINK TUBE
5. BO-POM-WASHER (BLACK-POM)
6. TNC-0202-NUT4 (BRASS WITH BLACK NICKEL PLATING)
7. BO-TNC-620 (D-RING Flanged_NBR)

bec Bobbintron Electrical Corp.
 www.bobbintron.com

TITLE: Isolation RP TNC bulk jack with O-ring+1.37L16+I-PEX

MODEL: --

SIGNATURE	DATE	SHEET 1 OF 1	REV.
DWG: HAO	2009/06/10	DWG. NO. IRP/TNC/PEX/L115M	G
CHK:			
APP:		PART NO. --	